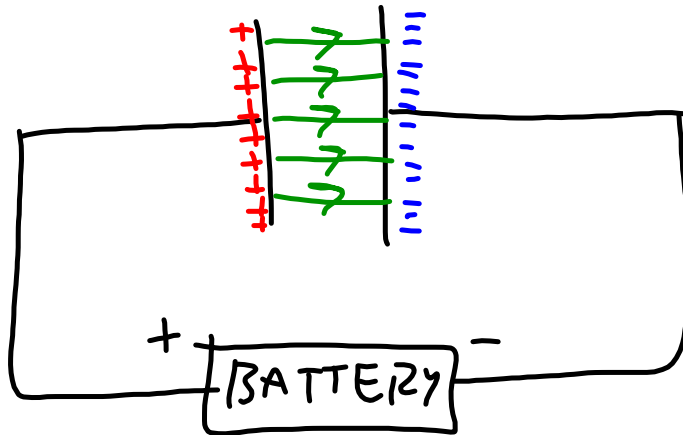


CAPACITORS

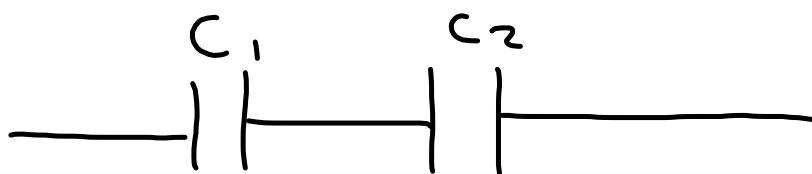


$$\Delta V = \frac{Q}{C}$$

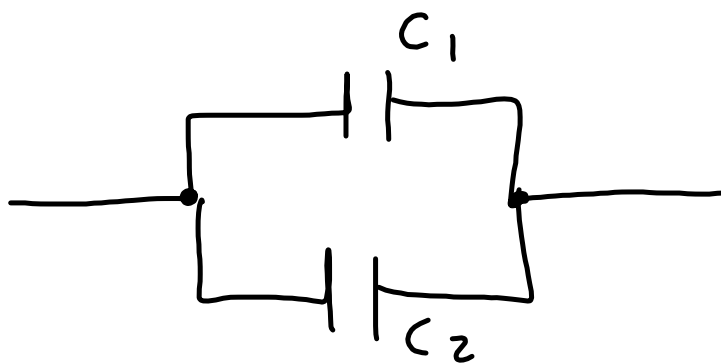
$$C = \frac{\kappa \epsilon_0 A}{d}$$

units:
Farads (F)

$$U_c = \frac{1}{2} Q \Delta V = \frac{1}{2} C (\Delta V)^2$$



$$\frac{1}{C_{eq}} = \frac{1}{C_1} + \frac{1}{C_2} + \dots$$



$$C_{eq} = C_1 + C_2 + \dots$$

KNIGHT → Ch. 26
21, 23, 27, 31, 33